

ALDRIDGE

BOSTON SE & TE

APPLICATIONS

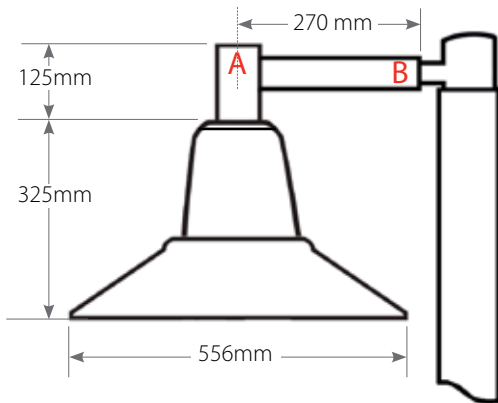
- Suburban Roads
- Driveways
- School Grounds
- Pathways
- Shopping Malls
- Parklands



Traditional shape lanterns for older suburban streets, urban areas and streetscapes

The lantern reflector design eliminates unwanted upward light, providing higher lumination at ground level

Dimensions



Features

- Designed to meet stringent Australian Standards
- Self cleaning housing and PMMA optical diffuser
- High Performance LED & Optics to meet AS/NZ1158
- Integrated thermal management
- Hinged 'quick access latch'
- Complies with AS/NZ 1158.6 & AS/NZ 1158.1
- 10 year warranty

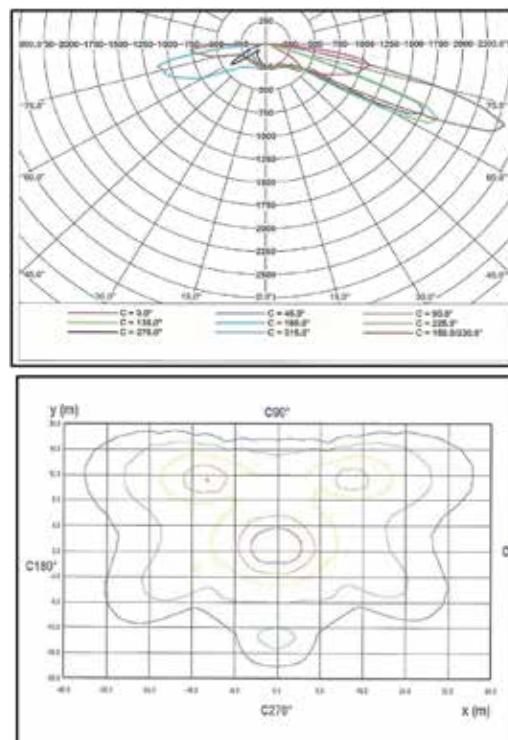
Options

- Photocell:** 7-pin Nema receptacle (7PN), D2 type cell (D2)
- Fuse Terminal Block:** (FTB)
- Surge Protection Device:** (SPD - 10KVA, 20KVA)
- Class II:** (DB - Double Insulated)
- Colour:** Green (GR), White (WH), Black (BL-Standard)
- CCT:** 3000K, 4000K (Standard), 5000K
- Visor:** Glareshield/spill light kit (GV)

Technical Data

- Body:** High Pressure Die Cast Aluminum
- Optics:** P4 & P5 Distribution
- LED #:** 24
- Wattage:** 14 - 20 - 26 watts
- Finishing:** Powder Coat (Black Standard)
- Mounting:** 4 - 9 m
- Fixing:** A = Side Entry SE (45mm OD)
B= Pole Spigot (35mm OD)
- IP rating:** IP65 - IP44
- IK rating:** IK10
- Voltage:** 240V 50/60Hz
- Power Factor:** >0.9

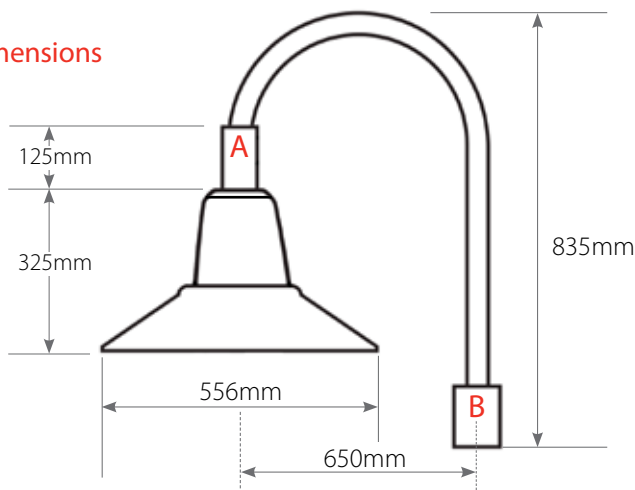
Photometric Design Data



Specification BOSTON-SE

PRODUCT CODE	BOS2.SE.518	BOS2.SE.520	BOS2.SE.526
Wattage (watts)	14	20	26
System Wattage (watts)	18	23.4	29.2
Input Voltage (V)	240	240	240
CCT (K)	4000	4000	4000
CRI	Ra>80	Ra>80	Ra>80
IP Protection	IP65	IP65	IP65
IK Protection	IK10	IK10	IK10
Weight (Kg) - max.	15	15	15

Dimensions



Features

- Designed to meet stringent Australian Standards
- Self cleaning housing and PMMA optical diffuser
- High Performance LED & Optics to meet AS/NZ1158
- Integrated thermal management
- Hinged 'quick access latch'
- Complies with AS/NZ 1158.6 & AS/NZ 1158.1
- 10 year warranty

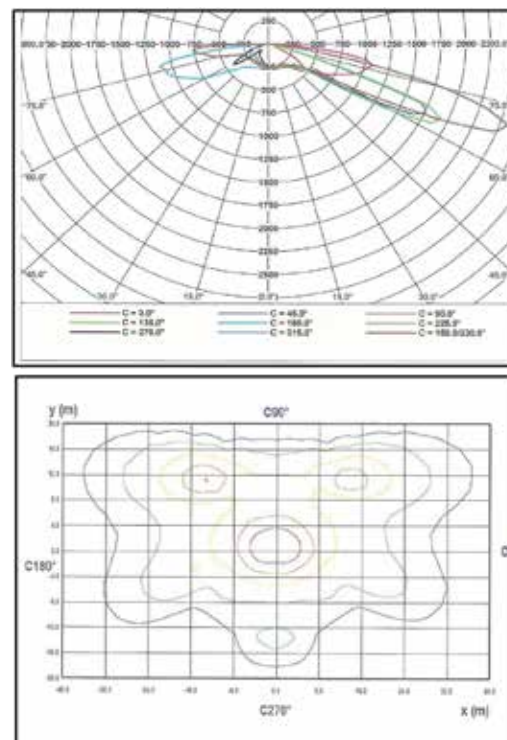
Options

- Photocell:** 7-pin Nema receptacle (7PN), D2 type cell (D2)
- Fuse Terminal Block:** (FTB)
- Surge Protection Device:** (SPD - 10KVA, 20KVA)
- Class II:** (DB - Double Insulated)
- Colour:** Green (GR), White (WH), Black (BL-Standard)
- CCT:** 3000K, 4000K (Standard), 5000K
- Visor:** Glareshield/spill light kit (GV)

Technical Data

- Body:** High Pressure Die Cast Aluminum
- Optics:** P4 & P5 Distribution
- LED #:** 24
- Wattage:** 14 - 20 - 26 watts
- Finishing:** Powder Coat (Black Standard)
- Mounting:** 4 - 9 m
- Fixing:** A = Top Entry TE (45mm OD)
B = Pole Spigot (76mm OD)
- IP rating:** IP65 - IP44
- IK rating:** IK10
- Voltage:** 240V 50/60Hz
- Power Factor:** >0.9

Photometric Design Data



Specification BOSTON-TE

PRODUCT CODE	BOS2.TE.518	BOS2.TE.520	BOS2.TE.526
Wattage (watts)	14	20	26
System Wattage (watts)	18	23.4	29.2
Input Voltage (V)	240	240	240
CCT (K)	4000	4000	4000
CRI	Ra>80	Ra>80	Ra>80
IP Protection	IP65	IP65	IP65
IK Protection	IK10	IK10	IK10
Weight (Kg) - max.	15	15	15



ALDRIDGE

Aldridge Traffic Systems Pty Ltd

12 - 14 Leeds Street
Rhodes NSW 2138

www.aldridgetraffic.com.au

NSW

P: +61 2 9736 3677
F: +61 2 9736 3391
e: info@traffictld.com.au

VIC

P: +61 3 9430 0222
F: +61 3 9430 0244
e: info@traffictld.com.au

SA

P: +61 8 8362 2385
e: info@traffictld.com.au

NT

P: +61 8 8947 0733
F: +61 8 8947 0713
e: info@traffictld.com.au

ACT

P: +61 2 6299 7922
F: +61 2 6299 7977
e: info@traffictld.com.au

WA

P: +61 8 9248 1002
F: +61 8 9209 2288
e: info@traffictld.com.au

QLD

P: +61 7 3266 1900
F: +61 7 3266 2244
e: info@traffictld.com.au

TAS

P: +61 3 6273 1177
F: +61 3 6273 1759
e: info@traffictld.com.au

UNITED KINGDOM

P: +44 (0) 1159 223 797
F: +44 (0) 1159 223 836
e: info@aldridgetraffic.co.uk