

200mm LED VEHICLE LANTERNS

FEATURES

- Meets all requirements of AS/NZS2144:2002
- High luminous output
- Operates in high temperatures
- Moisture resistance
- LED's driven at low current in order to avoid premature ageing
- Compatible with existing Traffic Controllers in relation to dimming and monitoring
- Long term reliability and operational life
- Low output degradation
- Low sun-phantom intensity
- No veiling reflection
- Coloured lens in compliance with colour requirement of CIE/AS/NZS2144:2002
- Meets the "Shut-down" requirement of CIE/AS/NZS2144:2002
- Can operate with solar power
- Durable thermoplastic components
- Exceptional structural strength
- Injection moulded or aluminium pressure diecast modular housing components



SPECIFICATIONS – VEHICLE

	RED	YELLOW	GREEN
LUMINOUS OUTPUT	460cd	800cd	520cd
POWER CONSUMPTION (TRUE R.M.S)	5.4 watts	10 watts	5 watts
TYPICAL CHROMATICITY CO-ORDINATES	X = 0.687 Y = 0.311	X = 0.540 Y = 0.438	X = 0.099 Y = 0.611

SPECIFICATIONS – ARROWS

	RED	YELLOW	GREEN
LUMINOUS OUTPUT	8247cd/m ²	17216cd/m ²	7000cd/m ²
POWER CONSUMPTION (TRUE R.M.S)	6 watts	6 watts	5 watts
TYPICAL CHROMATICITY CO-ORDINATES	X = 0.688 Y = 0.311	X = 0.568 Y = 0.434	X = 0.099 Y = 0.542

Complies with requirements of AS/NZS2144:2002

Electromagnetic Compatibility:

Complies with the requirements of AS/NZS4252.1,
IEC61000-4-5, IEC1000-6

FEATURES

- U.V. stabilise components
- Adjustable lantern mounting centres
- Dual hinging doors
- Available with wide range of accessories
- IP35 protection
- Lanterns are available in 1,2,3 or 4 aspects
- Door locking clips available as an anti theft device

BENEFITS

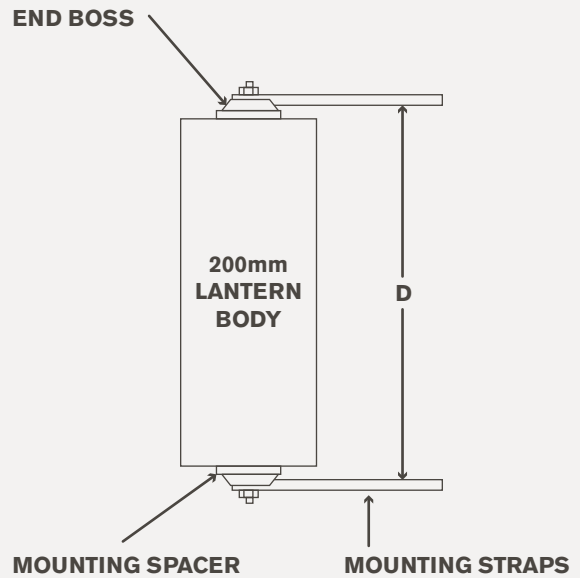
- Substantial energy and cost saving
- Long reliable service life
- Low maintenance
- Uniform lens illumination
- LED lanterns can be made available to meet specification of American ITE, British Standard B5505, DIN 6163 and BSEN 12368:2006

LANTERN OPTIONS

ATS 200mm LED's Lanterns are normally available in one, two or three aspect sizes, but the modular design permits ATS to supply lanterns with four or more aspects to order.

Lanterns may be supplied with arrow (or special) display in any specified combination of aspects.

Customers may specify ATS lanterns fitted with target boards, visors, mounting straps and louvres etc. Special length interconnecting cable is also available on special order.



MOUNTING DIMENSIONS

BODY DIMENSION - 260mm width x 208.2mm depth

ASPECT	DIMENSION "D"
One Aspect	Min 295mm Standard 317mm
Two Aspect	Min 549mm Standard 577mm
Three Aspect	Min 802mm Standard 858mm
Four Aspect	Min 1056mm Standard 1112mm
Dimensions +/-2mm (Other dimensions in 7mm adjustments available)	