



ALDRIDGE

BERLIN

A TOUCH OF NOSTALGIA

**STREET LIGHTING WITH
TOMORROW'S TECHNOLOGY**

BERLIN A TOUCH OF NOSTALGIA

Aldridge Berlin - The charm of the older suburb can still be retained using the latest technology with LED smart lighting. The Berlin is a traditional shape lantern designed for the suburban streets in heritage towns or to add a touch of nostalgia to older streetscapes in cities and towns.

The Berlin maintains a brilliant luminance with the latest energy efficient LEDs. The lantern reflector design eliminates unwanted upward light, providing higher lumination at ground level. Giving local residents and drivers safe passage through the area whilst maintaining the charming street appeal.

The luminaire body is constructed of high quality die-cast aluminium with a powder coating finish, making it resistant to oxidization and corrosion. The superior LED light source has long life use, low light depreciation, and high lighting efficiency.

Benefits

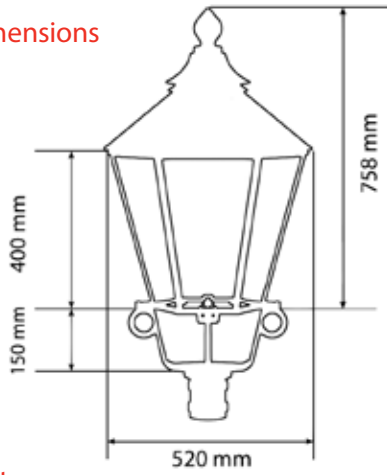
- Long lifetime and reliability
- Minimal glare
- 360°/270° beam angle
- Easy installation, surface mounted
- Energy saving
- 10 year Warranty

Applications

- 'P' Category Roadways
- Suburban Roads
- Walkways
- Parks
- Including 'P4' & 'P5'
- Driveways



Dimensions



Features

- Designed to meet stringent Australian Standards
- Self cleaning housing and optical diffuser
- High Performance LED & Optics to meet AS/NZ1158
- Integrated thermal management
- Segregated termination point
- Hinged 'quick access latch'
- Complies with AS/NZ 1158.6 & AS/NZ 1158.1
- 10 year warranty

Technical Data

- Body:** High Pressure Die-cast aluminum (marine grade)
- Optics:** Type 3 - 5 Distributions
- LED #:** CREE
- Wattage:** 12 - 14 - 20 - 27 - 57 Watts
- Finishing:** Powder Coat
- Mounting:** 4 - 9 Metres
- Fixing:** Post Top Mount
- IP rating:** IP65
- IK rating:** IK10
- Voltage:** 240V 50/60Hz
- Power Factor:** >0.9

Specification BERLIN

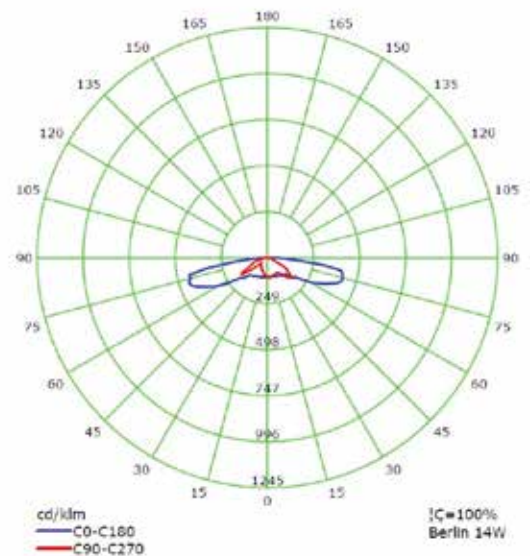


Options

- Photocell:** 7-pin Nema receptacle (7PN)
- Fuse Terminal Block:** (FTB)
- Surge Protection Device:** (SPD - 10KVA, 20KVA)
- Class II:** (DB - Double Insulated)
- Colour:** Grey (GR-Standard)
- CCT:** 3000K, 4000K (Standard), 5000K
- Visor:** Glareshield/spill light kit (GV)

Photometric Design Data

Luminous Intensity Distribution Curve(cd/klm)



PRODUCT CODE	BER512	BER514	BER520	BER527	BER557
Wattage (Watts)	12	14	20	27	57
System Watts	14	17	23	30	60
Input Voltage	220V - 240V 50/60Hz	220V - 240V 50/60Hz	220V - 240V 50/60Hz	220V - 240V 50/60Hz	220V - 240V 50/60Hz
CCT (K)	4000	4000	4000	4000	4000
CRI	Ra>80	Ra>80	Ra>80	Ra>80	Ra>80
IP Protection	IP66	IP66	IP66	IP66	IP66
IK Protection	IK06	IK06	IK06	IK06	IK06
Weight (Kg)-max.	15kg	15kg	15kg	15kg	15kg



ALDRIDGE

Aldridge Traffic Systems Pty Ltd

12 - 14 Leeds Street
Rhodes NSW 2138

www.trafficltd.com.au

NSW

P: +61 2 9736 3677
F: +61 2 9736 3391
e: info@trafficltd.com.au

VIC

P: +61 3 9430 0222
F: +61 3 9430 0244
e: info@trafficltd.com.au

SA

P: +61 8 8362 2385
e: info@trafficltd.com.au

NT

P: +61 8 8947 0733
F: +61 8 8947 0713
e: info@trafficltd.com.au

ACT

P: +61 2 6299 7922
F: +61 2 6299 7977
e: info@trafficltd.com.au

WA

P: +61 8 9248 1002
F: +61 8 9209 2288
e: info@trafficltd.com.au

QLD

P: +61 7 3266 1900
F: +61 7 3266 2244
e: info@trafficltd.com.au

TAS

P: +61 3 6273 1177
F: +61 3 6273 1759
e: info@trafficltd.com.au

UNITED KINGDOM

P: +44 (0) 1159 223 797
F: +44 (0) 1159 223 836
e: info@aldridgetraffic.co.uk