

ALDRIDGE

BOSTON SE & TE

APPLICATIONS

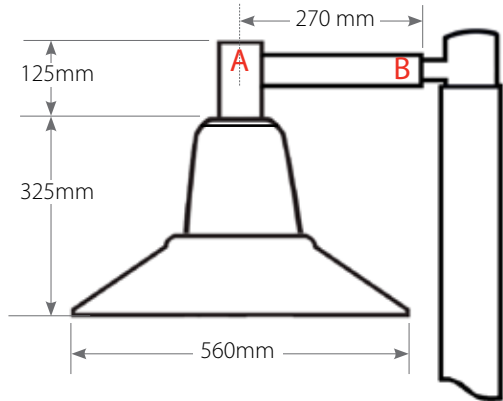
- Suburban Roads
- Driveways
- School Grounds
- Pathways
- Shopping Malls
- Parklands



Traditional shape lanterns for older suburban streets, urban areas and streetscapes

The lantern reflector design eliminates unwanted upward light, providing higher lumination at ground level

Dimensions



Features

- Designed to meet stringent Australian Standards
- Self cleaning housing and PMMA optical diffuser
- High Performance LED and Optics to meet AS/NZ1158
- Integrated thermal management
- Hinged 'quick access latch'
- Complies with AS/NZ 1158.6 & AS/NZ 1158.1
- 10 year warranty

Options

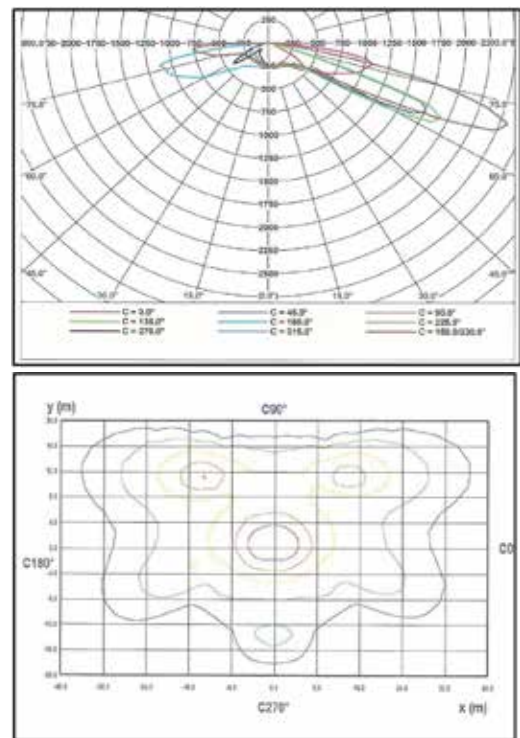
- **Photocell:** 7-pin Nema receptacle (7PN)
- **Fuse Terminal Block:** (FTB)
- **Surge Protection Device:** (SPD - 10KVA, 20KVA)
- **Class II:** (DB - Double Insulated)
- **Colour:** Green (GR), White (WH), Black (BK-Standard)
- **CCT:** 3000K, 4000K (Standard), 5000K
- **Visor:** Glareshield/spill light kit (GV)



Technical Data

- **Body:** High Pressure Marine Grade Die Cast Aluminum
- **Optics:** P4 & P5 Distribution
- **LED #:** 24
- **Wattage:** 13 - 17 - 30 - 40 Watts
- **Finishing:** Powder Coat Black (Black Standard)
- **Mounting:** 4 - 9 Metres
- **Fixing:** Side Spigot Mount (76mm OD)
- **IP rating:** IP66
- **IK rating:** IK10
- **Voltage:** 220 - 240V 50/60Hz
- **Power Factor:** >0.9

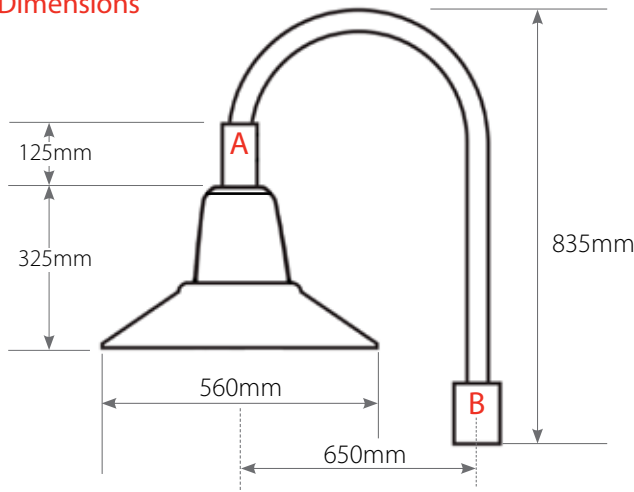
Photometric Design Data



Specification BOSTON-SE

PRODUCT CODE	ATSBOS2513SEB	ATSBOS2517SEB	ATSBOS2530SEPEBLK	ATSBOS2540SEPEBLK
System Watts	13	17	30	40
Input Voltage	220V - 240V 50/60Hz	220V - 240V 50/60Hz	220V - 240V 50/60Hz	220V - 240V 50/60Hz
CCT (K)	4000	4000	4000	4000
CRI	Ra>80	Ra>80	Ra>80	Ra>80
IP Protection	IP66	IP66	IP66	IP66
IK Protection	IK06	IK06	IK06	IK06
Weight (Kg)-max.	15kg	15kg	15kg	15kg

Dimensions



Options

- **Photocell:** 7-pin Nema receptacle (7PN)
- **Fuse Terminal Block:** (FTB)
- **Surge Protection Device:** (SPD - 10KVA, 20KVA)
- **Class II:** (DB - Double Insulated)
- **Colour:** Green (GR), White (WH), Black (BL-Standard)
- **CCT:** 3000K, 4000K (Standard), 5000K
- **Visor:** Glareshield/spill light kit (GV)

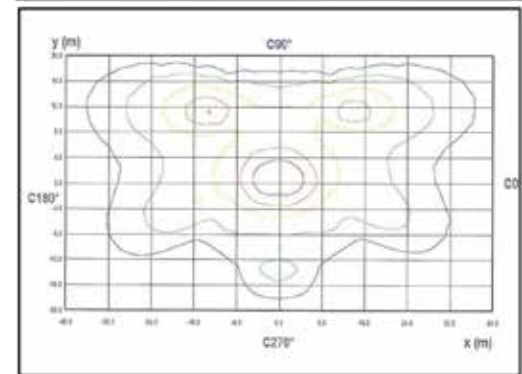
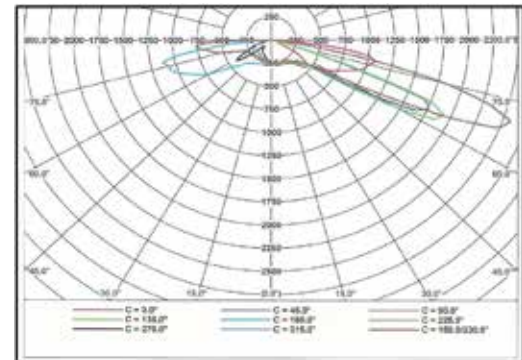


Features

- Designed to meet stringent Australian Standards
- Self cleaning housing and PMMA optical diffuser
- High Performance LED & Optics to meet AS/NZ1158
- Integrated thermal management
- Hinged 'quick access latch'
- Complies with AS/NZ 1158.6 & AS/NZ 1158.1
- 10 year warranty

Technical Data

- **Body:** High Pressure Die Cast Aluminum
- **Optics:** P4 & P5 Distribution
- **LED #:** 24
- **Wattage:** 13 - 17 - 30 - 40 Watts
- **Finishing:** Powder Coat Black (Black Standard)
- **Mounting:** 4 - 9 Metres
- **Fixing:** Top Spigot Mount (76mm OD)
- **IP rating:** IP65 - IP44
- **IK rating:** IK10
- **Voltage:** 220V - 240V 50/60Hz
- **Power Factor:** >0.9



Specification BOSTON-TE

PRODUCT CODE	ATSBOS2513TEB	ATSBOS2517TEB	ATSBOS2530TEPEBLK	ATSBOS2540TEPEBLK
System Watts	13	17	30	40
Input Voltage	220V - 240V 50/60Hz	220V - 240V 50/60Hz	220V - 240V 50/60Hz	220V - 240V 50/60Hz
CCT (K)	4000	4000	4000	4000
CRI	Ra>80	Ra>80	Ra>80	Ra>80
IP Protection	IP66	IP66	IP66	IP66
IK Protection	IK06	IK06	IK06	IK06
Weight (Kg)-max.	15kg	15kg	15kg	15kg



ALDRIDGE

Aldridge Traffic Systems Pty Ltd

12 - 14 Leeds Street
Rhodes NSW 2138

www.aldridgetraffic.com.au

NSW

P: +61 2 9736 3677
F: +61 2 9736 3391
e: info@traffictld.com.au

VIC

P: +61 3 9430 0222
F: +61 3 9430 0244
e: info@traffictld.com.au

SA

P: +61 8 8362 2385
e: info@traffictld.com.au

NT

P: +61 8 8947 0733
F: +61 8 8947 0713
e: info@traffictld.com.au

ACT

P: +61 2 6299 7922
F: +61 2 6299 7977
e: info@traffictld.com.au

WA

P: +61 8 9248 1002
F: +61 8 9209 2288
e: info@traffictld.com.au

QLD

P: +61 7 3266 1900
F: +61 7 3266 2244
e: info@traffictld.com.au

TAS

P: +61 3 6273 1177
F: +61 3 6273 1759
e: info@traffictld.com.au

UNITED KINGDOM

P: +44 (0) 1159 223 797
F: +44 (0) 1159 223 836
e: info@aldridgetraffic.co.uk