

ALDRIDGE

APPLICATIONS

- 'P' Category Roadways
- Suburban Roads
- Walkways
- Parks
- Including 'P4' & 'P5'
- Driveways
- Car Parks
- Security Lighting

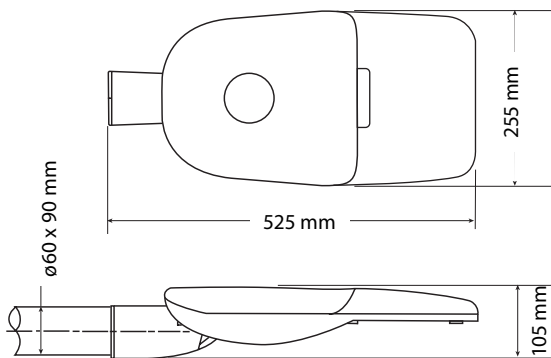
FLAT Series

Aesthetically low profile street and area lighting system.

A versatile range, available in three sizes, small, medium and large to suit today's ever changing landscape and withstand the test of time in hardware, optics, environment and performance



Dimensions



Features

- Designed to meet stringent Australian Standards
- Self cleaning housing and optical diffuser
- High Performance LED & Optics to meet AS/NZ1158
- Integrated thermal management
- Segregated termination point
- Hinged 'quick access latch'
- Complies with AS/NZ 1158.6 & AS/NZ 1158.1
- 10 year warranty

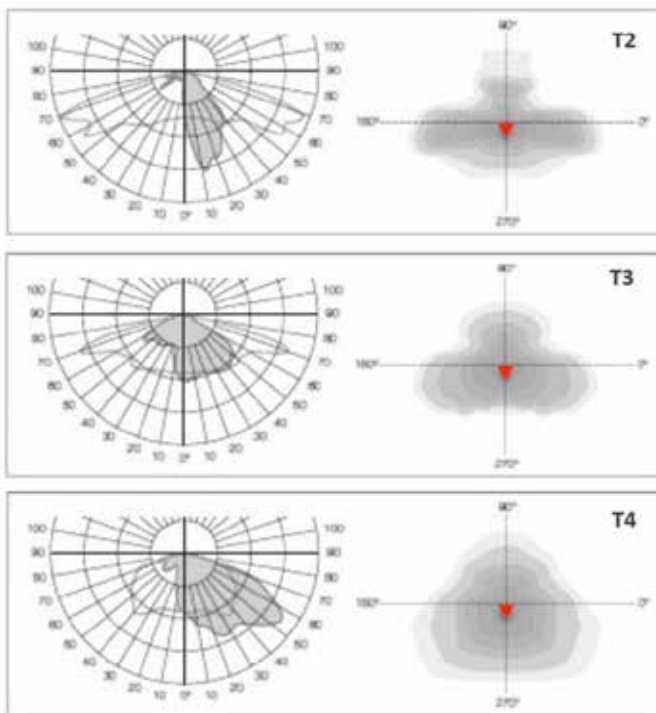
Options

- **Photocell:** 7-pin Nema receptacle (7PN)
- **Fuse Terminal Block:** (FTB)
- **Surge Protection Device:** (SPD - 10KVA, 20KVA)
- **Class II:** (DB - Double Insulated)
- **Colour:** Black (BL), White (WH), Grey (GR-Standard)
- **CCT:** 3000K, 4000K (Standard), 5000K
- **Visor:** Glareshield/spill light kit (GV)

Technical Data

- **Body:** High Pressure Marine Grade Die Cast Aluminum
- **Optics:** Type 2, 3 and 4 Distributions
- **LED #:** CREE: 16 - 24 - 24
- **Wattage:** 30 - 40 - 60 Watts
- **Finishing:** Powder Coat (Grey Standard)
- **Mounting:** 4 - 6 Metres
- **Fixing:** Top or Side Mount (60mm OD)
- **IP rating:** IP66
- **IK rating:** IK08
- **Voltage:** 240V 50/60Hz
- **Power Factor:** >0.9

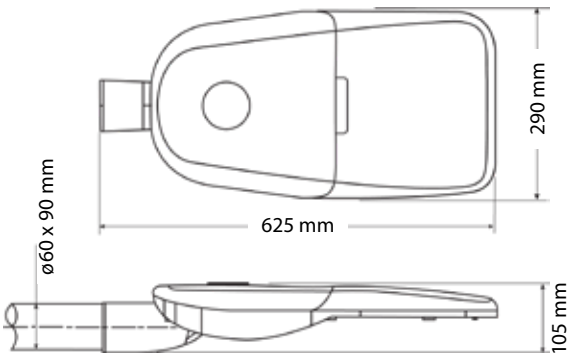
Photometric Design Data



Specification FLAT-S

PRODUCT CODE	FL.S.30W	FL.S.40W	FL.S.60W
Photometric Distribution	T2 - T3 - T4	T2 - T3 - T4	T2 - T3 - T4
System Wattage (watts)	30	40	60
Input Voltage (V)	240	240	240
Current Drive (mA)	647	575	862
CCT (K)	4000	4000	4000
CRI	Ra>70	Ra>70	Ra>70
IP Protection	IP66	IP66	IP66
IK Protection	IK08	IK08	IK08
Weight (Kg) - max.	6.1	6.2	6.2

Dimensions



Features

- Designed to meet stringent Australian Standards
- Self cleaning housing and optical diffuser
- High Performance LED & Optics to meet AS/NZ1158
- Integrated thermal management
- Segregated termination point
- Hinged 'quick access latch'
- Complies with AS/NZ 1158.6 & AS/NZ 1158.1
- 10 year warranty

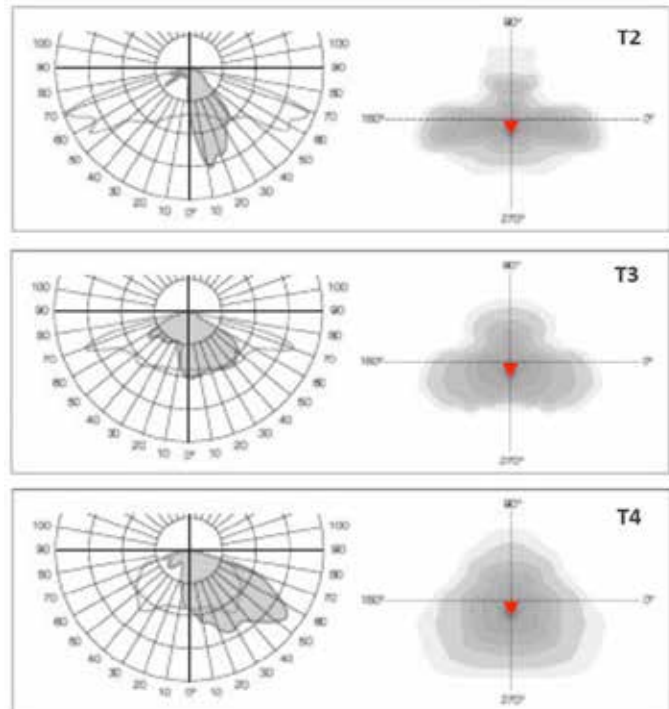
Options

- **Photocell:** 7-pin Nema receptacle (7PN)
- **Fuse Terminal Block:** (FTB)
- **Surge Protection Device:** (SPD - 10KVA, 20KVA)
- **Class II:** (DB - Double Insulated)
- **Colour:** Black (BL), White (WH), Grey (GR-Standard)
- **CCT:** 3000K, 4000K (Standard), 5000K
- **Visor:** Glareshield/spill light kit (GV)

Technical Data

- **Body:** High Pressure Marine Grade Die Cast Aluminum
- **Optics:** Type 2, 3 and 4 Distributions
- **LED #:** CREE: 24 - 32 - 48
- **Wattage:** 60 - 80 - 100 Watts
- **Finishing:** Powder Coat (Grey Standard)
- **Mounting:** 6 - 9 Metres
- **Fixing:** Top or Side Mount (60mm OD)
- **IP rating:** IP66
- **IK rating:** IK08
- **Voltage:** 240V 50/60Hz
- **Power Factor:** >0.9

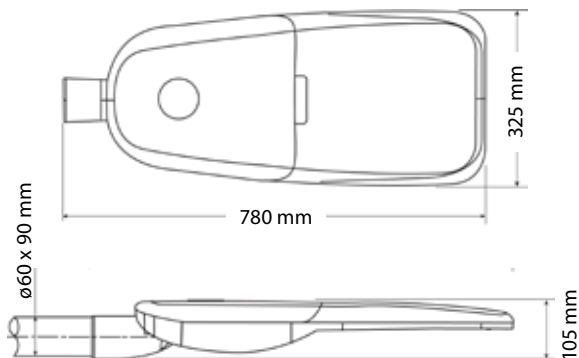
Photometric Design Data



Specification FLAT-M

PRODUCT CODE	FL.M.40W	FL.M.60W	FL.S.100W
Photometric Distribution	T2 - T3 - T4	T2 - T3 - T4	T2 - T3 - T4
System Wattage (watts)	60	80	100
Input Voltage (V)	240	240	240
Current Drive (mA)	862	862	718
CCT (K)	4000	4000	4000
CRI	Ra>70	Ra>70	Ra>70
IP Protection	IP66	IP66	IP66
IK Protection	IK08	IK08	IK08
Weight (Kg) - max.	7.5	7.6	7.6

Dimensions



Features

- Designed to meet stringent Australian Standards
- Self cleaning housing and optical diffuser
- High Performance LED & Optics to meet AS/NZ1158
- Integrated thermal management
- Segregated termination point
- Hinged 'quick access latch'
- Complies with AS/NZ 1158.6 & AS/NZ 1158.1
- 10 year warranty

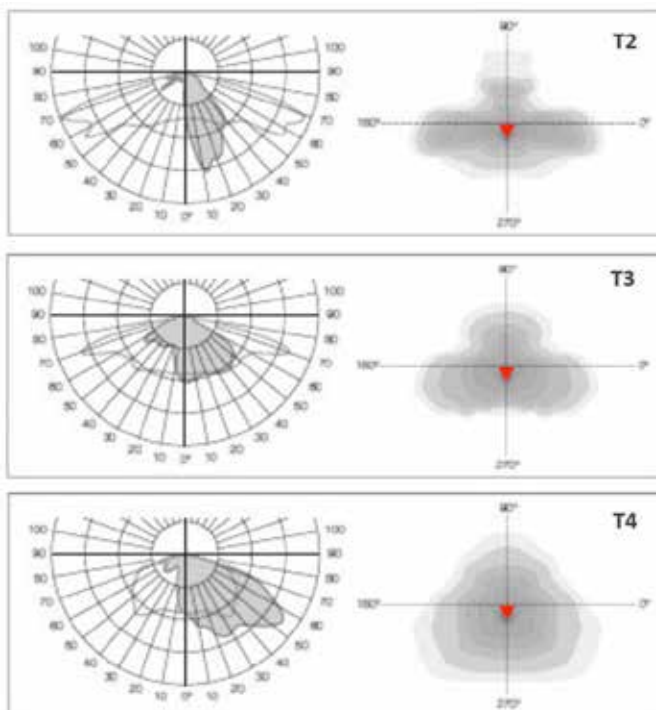
Options

- **Photocell:** 7-pin Nema receptacle (7PN)
- **Fuse Terminal Block:** (FTB)
- **Surge Protection Device:** (SPD - 10KVA, 20KVA)
- **Class II:** (DB - Double Insulated)
- **Colour:** Black (BL), White (WH), Grey (GR-Standard)
- **CCT:** 3000K, 4000K (Standard), 5000K
- **Visor:** Glareshield/spill light kit (GV)

Technical Data

- **Body:** High Pressure Marine Grade Die Cast Aluminum
- **Optics:** Type 2, 3 and 4 Distributions
- **LED #:** CREE: 48 - 64 - 64
- **Wattage:** 120 - 150 - 180 Watts
- **Finishing:** Powder Coat (Grey Standard)
- **Mounting:** 7 - 12 Metres
- **Fixing:** Top or Side Mount (60mm OD)
- **IP rating:** IP66
- **IK rating:** IK08
- **Voltage:** 240V 50/60Hz
- **Power Factor:** >0.9

Photometric Design Data



Specification FLAT-L

PRODUCT CODE	FL.L.120W	FL.SL.150W	FL.L.180W
Photometric Distribution	T2 - T3 - T4	T2 - T3 - T4	T2 - T3 - T4
System Wattage (watts)	120	150	180
Input Voltage (V)	240	240	240
Current Drive (mA)	862	808	970
CCT (K)	4000	4000	4000
CRI	Ra>70	Ra>70	Ra>70
IP Protection	IP66	IP66	IP66
IK Protection	IK08	IK08	IK08
Weight (Kg) - max.	10.5	10.6	10.6