



iTheft



Cable Anti-Theft Sensor

# iTheft

## Cable Anti-theft Sensor

### Description

TST's iTheft is a cable anti-theft alarm which monitors the condition of multi-loop cabling throughout the day. The two iTheft components work in conjunction with one another as part of the overall circuit.

**A** iTheft anti-theft main controller

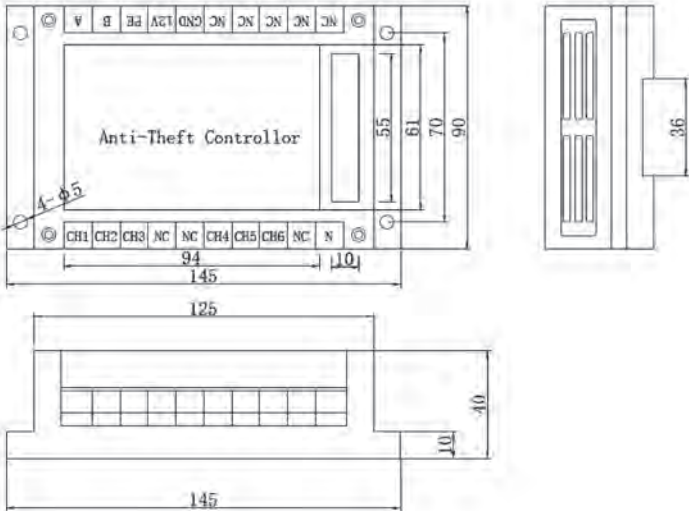
**B** iTheft PLC based terminal

### Features

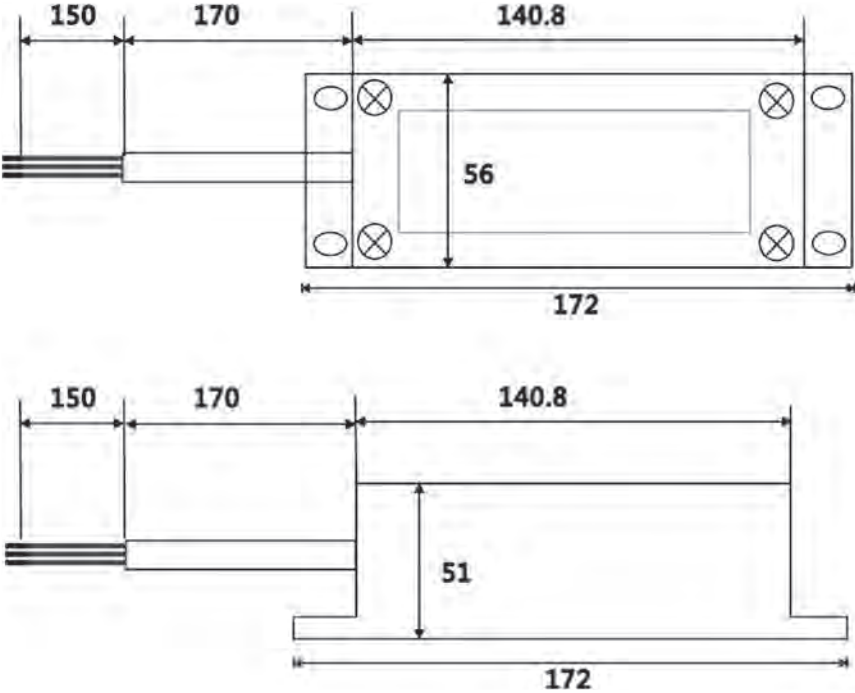
- Cable monitoring and anti-theft alarm function
- Easy to install
- The iTheft Controller has an LED indicator which shows the cables' status
- 6 lines of cable circuit monitoring
- Communicates with concentrator by asynchronous half-duplex RS-485
- AC input
- Single or 3 Phase Circuits
- PLC communication mode:
  - Meets with intelligent control circuit monitoring



A iTheft Controller



B iTheft Terminal



## Basic Parameters

PRODUCT		iTheft	
MODEL		iTheft Controller	iTheft Terminal
DC input Parameters	Voltage Range	DC12V	-
	Voltage Range	-	176V~242VAC
AC Input Parameters	Frequency Range	47~63Hz	47~63Hz
	Static Power Consumption	0.5W	1W
	Dynamic Power Consumption	8W	7W

## Working Environment

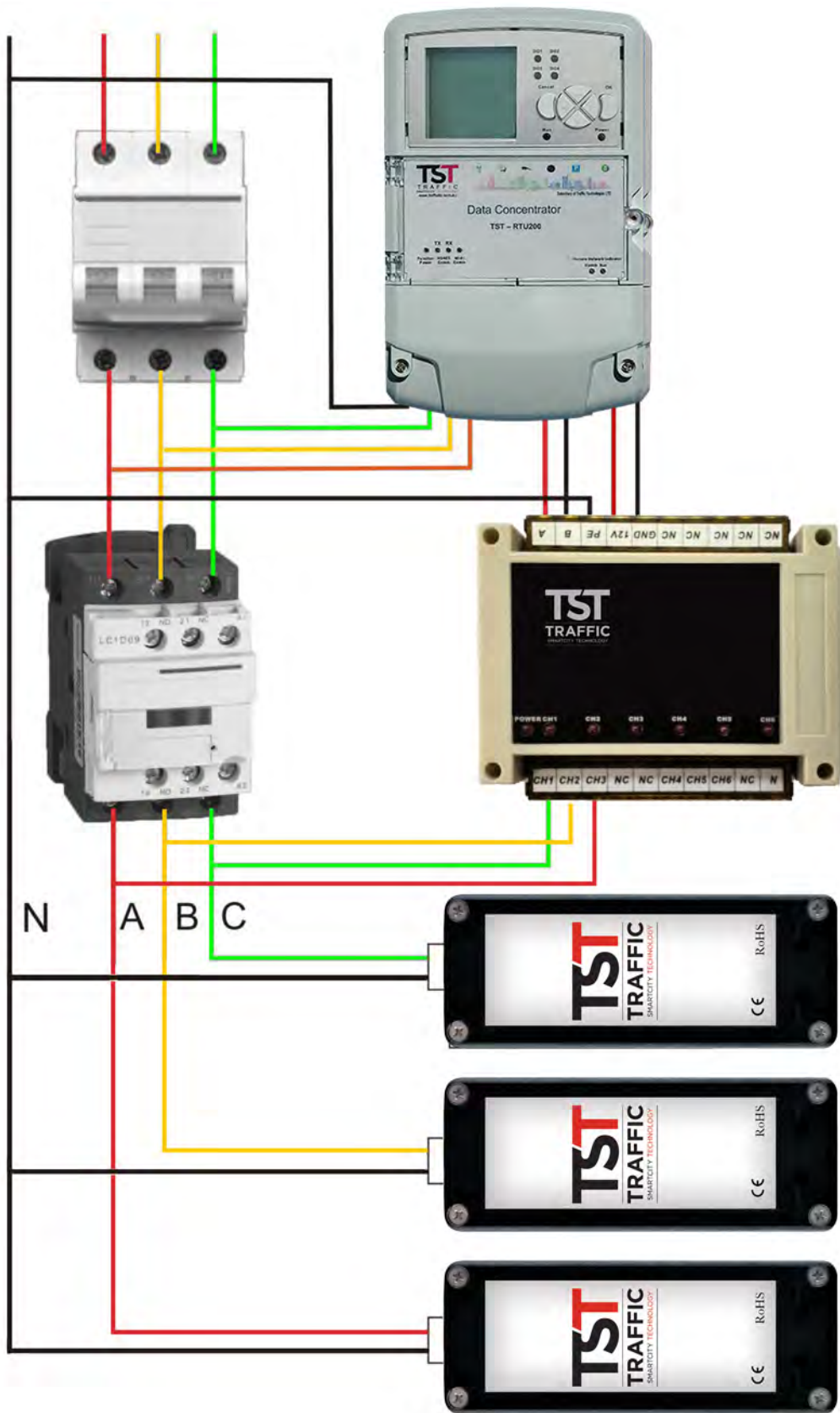
PRODUCT	iTheft	
MODEL	iTheft Controller	iTheft Terminal
Temperature	-25°C ~ +85°C	-25°C ~ +85°C
Relative Humidity	25% ~ 85% Non Condensation	5% ~ 95%
IP Rating	-	IP67
Dimensions	145mm x 90mm x 40mm	172mm x 56mm x 51mm

Communication Specification

PRODUCT	iTheft	
MODEL	iTheft Controller	iTheft Terminal
Alarm Mode	Concentrator Query	Concentrator Query
Alarm Mode	Concentrator detects that the impedance value under the value that is set in the software	Concentrator cannot detect anti-theft terminal
Detection Time	No AC power supply	AC power supply
Communication Mode	RS-485	Power line Communication (PLC)
Communication Format	Modbus	BPSK
Carrier Centre Frequency	-	132KHz
Communication Rate	9600 bps	5500 bps



iTheft anti-theft wiring diagram







## TST

31 Brisbane Street  
Eltham Victoria 3095

[www.trafficltd.com.au](http://www.trafficltd.com.au)

### NSW

P: +61 2 9736 3677  
F: +61 2 9736 3391  
e: [info@trafficltd.com.au](mailto:info@trafficltd.com.au)

### NT

P: +61 8 8947 0733  
F: +61 8 8947 0713  
e: [info@trafficltd.com.au](mailto:info@trafficltd.com.au)

### QLD

P: +61 7 3184 2000  
F: +61 7 3266 2244  
e: [info@trafficltd.com.au](mailto:info@trafficltd.com.au)

### VIC

P: +61 3 9430 0222  
F: +61 3 9430 0244  
e: [info@trafficltd.com.au](mailto:info@trafficltd.com.au)

### ACT

P: +61 2 6299 7922  
F: +61 2 6299 7977  
e: [info@trafficltd.com.au](mailto:info@trafficltd.com.au)

### TAS

P: +61 3 6273 1177  
F: +61 3 6273 1759  
e: [info@trafficltd.com.au](mailto:info@trafficltd.com.au)

### SA

P: +61 8 8362 2385  
e: [info@trafficltd.com.au](mailto:info@trafficltd.com.au)

### WA

P: +61 8 9248 1002  
F: +61 8 9209 2288  
e: [info@trafficltd.com.au](mailto:info@trafficltd.com.au)

### UNITED KINGDOM

P: +44 (0) 1159 223 797  
F: +44 (0) 1159 223 836  
e: [info@aldridgetraffic.co.uk](mailto:info@aldridgetraffic.co.uk)

