

ALDRIDGE

SolSolution Apollo L



APPLICATIONS

- Public Spaces
- Office Complex
- Low Light Areas
- Urban Areas
- Public Gardens
- Walkways
- Security Lighting

Dual CCT
Solar Pedestrian Light

Product Specifications

SolSolution Apollo L	
Peak LED Power	18W
LED Type	SMD2835 164 Pcs
Luminous Flux	>2,800lm
CCT Range	Dual Colour 3000K + 4000K or 3000K + 6000K
CRI	>80
Beam Angle	150°
Battery Pack Data - 154WH	
Nominal Battery Voltage	154WH 12.8V
Battery Type	LiFePO4 32700 600mA 3.2V
Battery autonomy	2 days backup 3~5 days in motion detection mode
Control Method	Automatic dusk till dawn
Working temperature	-20°C to +70°C
Life Cycle	DOD 50%, 4000 cycles
Charge Time	4 Hours
Discharge Time	24 Hours
Warranty	3 years
Solar Panel	
Maximum solar input power	42W/18V Monocrystalline
Solar Cell Efficiency	>21.5%

Solar Charge Controller

Solar Charge Controller MPPT controller with 4G remote

Motion Sensor Microwave

Environmental Data

Working Temp. -20 °C ~ 70 °C

Fixture

Light Fixture Material Aluminium Die casting
Polycarbonate

IP Rating IP65

Product Finish Black RAL9011

Weight 9.6kg

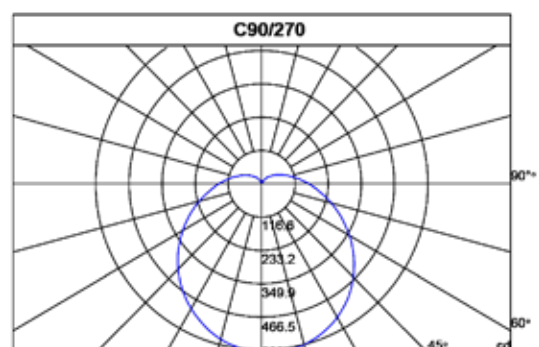
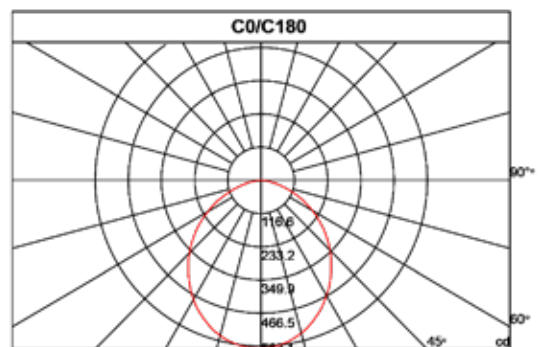
G.W/Light 13.50kg

Fixture Size 580Dmm x 455mm

Pole Diameter to Fit 76mm (pole not included)

Warranty 3 years

Photometrics





SolSolution **Apollo L**

Introducing the Aldridge SolSolution **Apollo L**. This robust solar-powered luminaire will provide exceptional dusk to dawn lighting for urban locations or low light areas, providing extra public security. Sleek and contemporary in design, the Apollo L comes with additional features including; remote control, motion sensor and variable light settings.

Apollo L is an advanced design with a smart control operation, illuminates an area with a 360° glare-free beam. It can be installed almost anywhere with adequate sunlight. With zero operating costs, and reduced installation costs, the Apollo L is the perfect solution for reducing the carbon footprint.

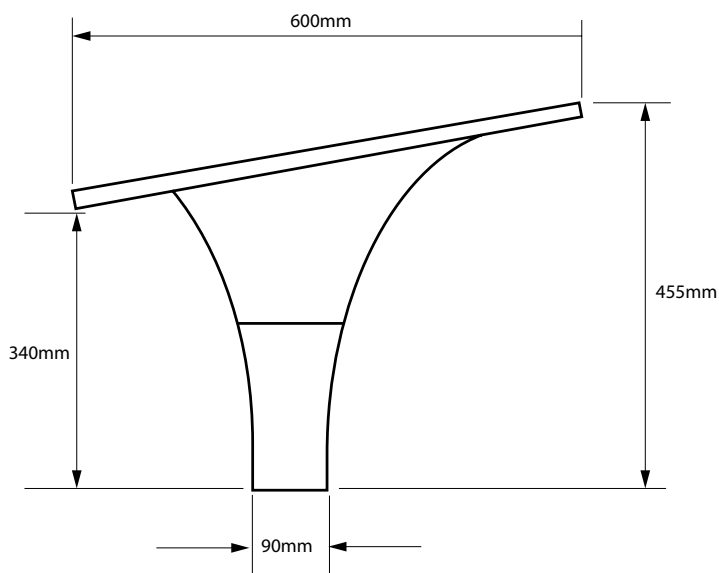
Apollo L uses a combination of the latest technology including, lithium battery, solar panel, and smart control system. The highly-efficient 42W solar panel and MPPT solar charged controller, ensure sufficient power can be generated every day to ensure the stability of the luminaire to work all year round.

With built-in lighting programs, Apollo's lighting power and operational times can be adjusted via the remote control. The luminaire can also operate using a motion detection mode. The Apollo L has customisable color temperatures, brightness settings and operational time to correspond with daylight hours.

Aldridge SolSolution Apollo L is the perfect solution for illuminating public areas with a quality robust fitting, which is not only elegant in design but offers zero operational costs.



Dimensions



LifePO4 Battery

long lifetime,
3000 cycles DOD 70%



Microwave sensor

360 degree covering
Covering big areas



High luminous

up to 180lm per watt
ultra high efficiency



Weather proof

IP65 level
Outdoor using

Quality finishing
class A components
quality guaranteed



360 degree lighting
covering more area
uniform lighting output



Set powers & CCT
Lighting power and
light color is adjustable



2.4G Remote control
Long distance operation
360 degree signal



Features

- High quality solar powered luminaire
- 2.4 Gb long-range remote control operates:
 - Variable CCT and brightness settings
 - Constant lighting or motion sensor operation
- Highly efficient luminance, up to 180lm per watt
- 360° area lighting
- 360° motion sensor
- Premium LifeP04 built in battery pack
- Dual layer optics to create even light distribution
- Weather proof, IP65
- Aluminium die cast body
- Anti-theft stainless steel screw fixings

Benefits

- Public Safety and Security
- Multi Function Design
- Customisable Program
- Long lifetime and Reliability
- 2800 Lumens
- Minimal Glare
- Minimum Installation Costs
- Energy Saving
- Low Maintenance
- Easy Clean

ALUMINIUM DIE CASTING

Quality finished aluminium body, reduces the possibility of rust or oxidation even after long-term use. Maintaining the color, lustre and finish for years to come.

OPAQUE DIFFUSER

With up to 93% light transmittance, the opaque diffuser gives a uniform light output without the glare.

LED TECHNOLOGY

With 180lm/Watts luminance efficiency. SolSolution Apollo L features adjustable color temperatures and brightness, between 3000K and 6000K (or 4000K), brightness can be adjusted between 20%~100% as required. The aluminum heat sink provides superb LED lighting efficiency by keeping it operational under 60° to greatly extend the lifetime of LED chip.

DRAINAGE HOLES

Built in drainage holes prevent the build up of water and vapour and prevents deterioration of the luminaire.

ANTI-THEFT SCREW FIXINGS

Special stainless steel 304 anti-theft, rust resistant screws, makes installation easy, and secures the fitting to prevent theft.





MONOCRYSTALLINE PV

42W 18V solar panel, designed to generate continuous power supply.

LIFEPO4 BATTERY

Built in lithium battery with up to 4000 cycles D.O.D 50%. Ensuring system keeps running up to 8 years without any maintenance. Battery capacity : 154WH.

TRANSPARENT COVER

Strong, transparent polycarbonate cover protects the opaque optics from damage and seals the unit against insects. Keeping the inside of the light clean and the outside easy to clean and maintain.

MPPT CONTROLLER+ SENSOR

Inbuilt microwave sensor. The motion detection mode is controlled via the MPPT remote control.

76MM DIAMETER

Suitable for pole between 60~76mm Dia. Easy to secure to using 2 x M8 screws.

2.4G REMOTE CONTROL

2.4G remote control has a long distance range and 360° signal transmission. Its functionality sets light power, color temperature and operational hours.



Aldridge Traffic Systems Pty Ltd

12 - 14 Leeds Street
Rhodes NSW 2138
www.trafficltd.com.au



Before and After Installation - Hobart Tasmania

NSW

P: +61 2 9701 9900
e: info@trafficltd.com.au

VIC

P: +61 3 9430 0222
e: info@trafficltd.com.au

SA

P: +61 3 9430 0266
e: info@trafficltd.com.au

NT

P: +61 8 8947 0733
e: info@trafficltd.com.au

ACT

P: +61 2 6299 7922
e: info@trafficltd.com.au

WA

P: +61 8 9248 1002
e: info@trafficltd.com.au

QLD

P: +61 7 3184 2000
e: info@trafficltd.com.au

TAS

P: +61 3 6273 1177
e: info@trafficltd.com.au

UNITED KINGDOM

P: +44 (0) 1159 223 797
e: info@aldridgetraffic.co.uk

