



**ALDRIDGE**

**CENTRAL  
LIGHT  
SOURCE**

**TRAFFIC SIGNAL LANTERNS**

# CLS

# TRAFFIC SIGNAL LANTERNS



## FEATURES OPTICAL MODULE

- Meets all requirements of AS2144
- Available in 200mm and 300mm sizes
- Available in:
  - 230VAC (LV)
  - 42VAC (ELV) Dim-By-Wire
- High luminous output
- Low output degradation
- Low sun-phantom intensity
- Uniform lens illumination
- No veiling reflection
- Coloured lens corresponding to LED colour to minimize chance of false recognition
- Wide range of temperature operation
- IP65 protection against dust and moisture
- Compatible with existing Traffic Controllers in relation to dimming and monitoring
- Long term reliability and operational life
- Substantial energy and cost saving
- Low maintenance
- Easy retrofit optics available
- Symbolic signals available

## SPECIFICATIONS

|                                       |   |
|---------------------------------------|---|
| <b>DISPLAY TECHNOLOGY</b>             | InGaN and AllnGaP High intensity LED  |
| <b>OPTICAL MODULE DIMENSION</b>       | 200mm / 300mm roundel   |
| <b>LUMINOUS INTENSITY</b>             | Comply per AS2144   |
| <b>SIGNAL COLOUR</b>                  | Red/ Amber/ Green/White per AS2144  |
| <b>OPERATING TEMPERATURE</b>          | -15° C ~ +70°C  |
| <b>IP CLASS</b>                       | Class II, IP65 Optical module & Enviro Housing, IP35 Aluminium Housing              |
| <b>EMC/ELECTRICAL SAFETY STANDARD</b> | AS 61000.6.1, AS 61000.6.3, AS-NZS 3100   |
| <b>ENVIRONMENTAL TEST COMPLIANCE:</b> | AS/IEC 60068.2.14, 2.2, 2.30, 2.5, 2.64 IEC 61000.6.2, IES 61000.6.4, IEC 61000-6-2 |
| <b>POWER CONSUMPTION:</b>             | 7 ~ 9W (200mm)<br>10 ~ 13W (300mm)  |
| <b>POWER FACTOR</b>                   | >0.99   |
| <b>MTBF:</b>                          | 87600 Hours (10 Years Continuous Operation)   |
| <b>OPERATING VOLTAGE</b>              | <b>230VAC</b> (LV)<br><b>42VAC</b> (ELV) Dim-By-Wire                                |
|                                       | Input Fuse Protection   |
| <b>APPROVAL STANDARDS</b>             | AS2144, Vicroads (TCS-038) NSW (TSI-SP-045) NZ (AS2144)                             |
| <b>WARRANTY:</b>                      | 5 Years 3 Months materials and workmanship  |

## COLOUR CHROMATICITY CO-ORDINATES

| RED ASPECT (200mm) | YELLOW ASPECT (200mm) | GREEN ASPECT (200mm) |
|--------------------|-----------------------|----------------------|
| X = 0.693          | X = 0.570             | X = 0.074            |
| Y = 0.305          | Y = 0.429             | Y = 0.549            |
| RED ASPECT (300mm) | YELLOW ASPECT (300mm) | GREEN ASPECT (300mm) |
| X = 0.688          | X = 0.572             | X = 0.081            |
| Y = 0.312          | Y = 0.425             | Y = 0.580            |

## FEATURES LANTERN HOUSING

- 15,000 CLS units installed
- U.V. stabilized components
- Adjustable lantern mounting centres
- Exceptional structural strength
- Dual side hinging doors
- Available with wide range of accessories
- Lanterns are available in 1, 2, 3 or 4 aspects
- Door locking clips available as an anti theft device Benefits Durable thermoplastic components
- Injection moulded plastic or aluminum housing components

## TECHNOLOGY

Using high intensity LEDs, CLS delivers a more uniform light distribution. The signal is seen as one single light source, with no visible diodes compared to traditional LED signals which are visually seen as single LEDs grouped to form a light source. CLS provides a more comfortable visual to road user.

## LANTERN OPTIONS

ATS LED Lanterns are normally available in one, two or three aspect sizes, but the modular design permits ATS to supply lanterns with four or more aspects to order. Lanterns may be supplied with arrow (or special) display in any specified combination of aspects. Customers may specify ATS lanterns fitted with target boards, visors, mounting straps and louvres etc. Special length interconnecting cable is also available on special order. Cable is also available on special order.

## ACCESSORIES

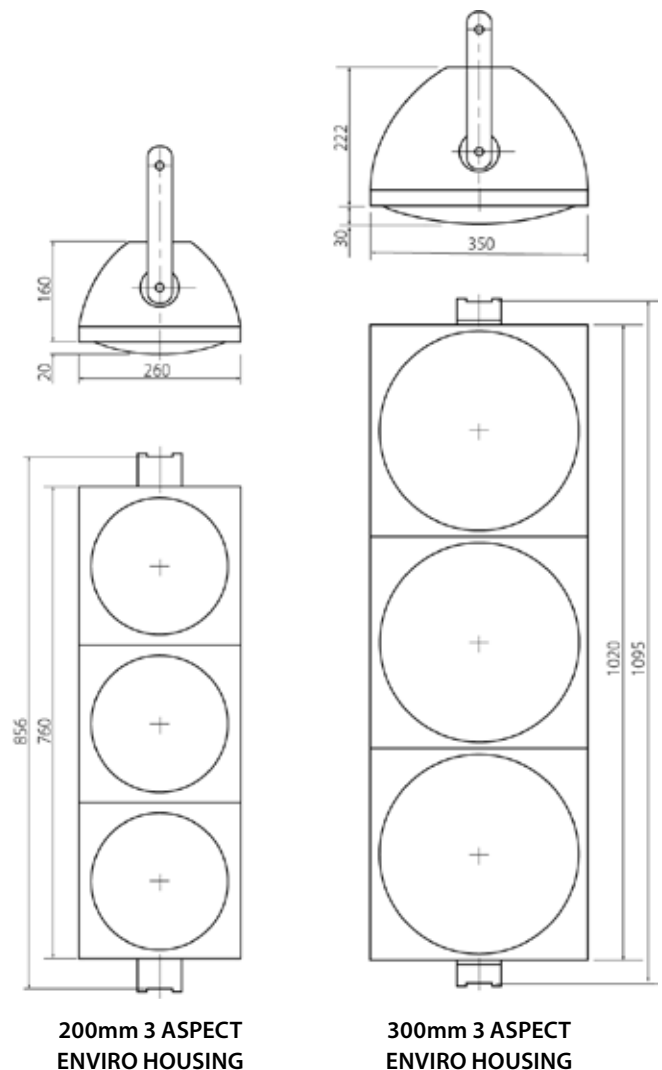
**ATS vehicle lanterns are available with a full range of accessories including:**

- Target boards with white border
- Target boards without border
- Various length mounting straps
- Various cable harness lengths are available

**Our visors come in the following sizes:**

- 200mm or 300mm, open type visors
- 200mm or 300mm, closed type visors
- Left and right cutaway visors
- Half and full vertical louvres
- Half and full horizontal louvres.

Traffic Signal Lanterns fitted with **Central Light Source (CLS)** Signal, utilizing latest generation high intensity LED and optical lens design. Designed to meet Australian Standards.



# CLS




# TRAFFIC AND SYMBOLIC LANTERNS



## FEATURES OPTICAL MODULE

- Meets all requirements of AS2144
- Available in 200mm and 300mm sizes
- Available in:
  - 230VAC (LV)
  - 42VAC (ELV) Dim-By-Wire
- High luminous output
- Low output degradation
- Low sun-phantom intensity
- Uniform lens illumination
- No veiling reflection
- Coloured lens corresponding to LED colour to minimize chance of false recognition
- Wide range of temperature operation
- IP65 protection against dust and moisture
- Compatible with existing Traffic Controllers in relation to dimming and monitoring
- Long term reliability and operational life
- Substantial energy and cost saving
- Low maintenance
- Easy retrofit optics available
- Symbolic signals available

## SPECIFICATIONS

|   |  |   |
|---|--|---|
| <b>DISPLAY TECHNOLOGY</b>   | InGaN and AllnGaP High intensity LED   |   |
| <b>OPTICAL MODULE DIMENSION</b>   | 200mm / 300mm roundel  |   |
| <b>LUMINOUS INTENSITY</b>   | Comply per AS2144  |   |
| <b>SIGNAL COLOUR</b>  | Red/ Amber/ Green/White per AS2144   |   |
| <b>OPERATING TEMPERATURE</b>  | -15° C ~ +70°C   |   |
| <b>IP CLASS</b>   | Class II, IP65 Optical module & Enviro Housing, IP35 Aluminium Housing                 |   |
| <b>EMC/ELECTRICAL SAFETY STANDARD</b>   | AS 61000.6.1, AS 61000.6.3, AS-NZS 3100  |   |
| <b>ENVIRONMENTAL TEST COMPLIANCE:</b>   | AS/IEC 60068.2.14, 2.2, 2.30, 2.5, 2.64<br>IEC 61000.6.2, IES 61000.6.4, IEC 61000-6-2 |   |
| <b>POWER CONSUMPTION:</b>   | 7 ~ 9W (200mm)<br>10 ~ 13W (300mm)   |   |
| <b>POWER FACTOR</b>   | >0.99  |   |
| <b>MTBF:</b>  | 87600 Hours<br>(10 Years Continuous Operation)   |   |
| <b>OPERATING VOLTAGE</b>  | <b>230VAC</b> (LV)<br><b>42VAC</b> (ELV) Dim-By-Wire                                   |   |
|   | Input Fuse Protection  |   |
| <b>APPROVAL STANDARDS</b>   | AS2144 , Vicroads (TCS-038)<br>NSW (TSI-SP-045) NZ (AS2144)                            |   |
| <b>WARRANTY:</b>  | 5 Years 3 Months materials and workmanship   |   |
| <b>COLOUR CHROMATICITY CO-ORDINATES</b>   |  |   |
|  |   |  |
| <b>ARROW (200mm)</b>  | <b>ARROW (200mm)</b>   | <b>ARROW (200mm)</b>  |
| X = 0.693   | X = 0.570  | X = 0.074   |
| Y = 0.305   | Y = 0.429  | Y = 0.549   |
| <b>ARROW (300mm)</b>  | <b>ARROW (300mm)</b>   | <b>ARROW (300mm)</b>  |
| X = 0.685   | X = 0.573  | X = 0.058   |
| Y = 0.315   | Y = 0.424  | Y = 0.608   |

## SYMBOLIC SIGNALS AVAILABLE



## FEATURES LANTERN HOUSING

- U.V. stabilized components
- Adjustable lantern mounting centers
- Exceptional structural strength
- Dual side hinging doors
- Available with wide range of accessories
- Lanterns are available in 1, 2, 3 or 4 aspects
- Door locking clips available as an anti theft device Benefits Durable thermoplastic components
- Injection moulded plastic or aluminum housing components

## TECHNOLOGY

Using high intensity LEDs, CLS delivers a more uniform light distribution. The signal is seen as one single light source, with no visible diodes compared to traditional LED signals which are visually seen as single LEDs grouped to form a light source. CLS provides a more comfortable visual to road user.

## LANTERN OPTIONS

ATS LED Lanterns are normally available in one, two or three aspect sizes, but the modular design permits ATS to supply lanterns with four or more aspects to order. Lanterns may be supplied with arrow (or special) display in any specified combination of aspects. Customers may specify ATS lanterns fitted with target boards, visors, mounting straps and louvres etc. Special length interconnecting cable is also available on special order. Cable is also available on special order.

## ACCESSORIES

ATS vehicle lanterns are available with a full range of accessories including:

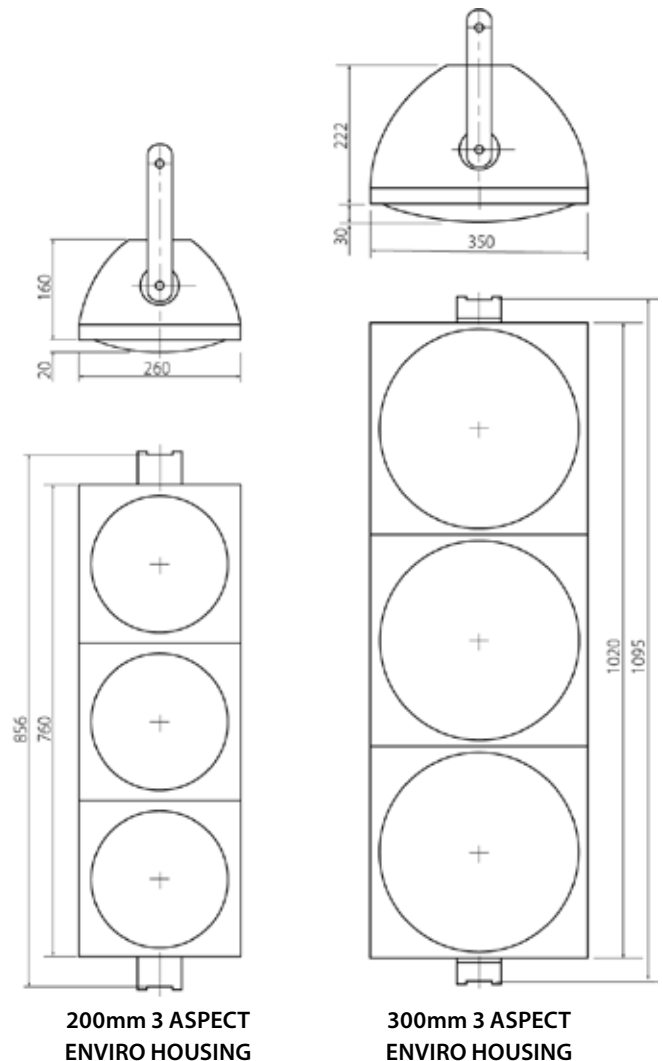
- Target boards with white border
- Target boards without border
- Various length mounting straps
- Various cable harness lengths are available

Our visors come in the following sizes:

- 200mm or 300mm, open type visors
- 200mm or 300mm, closed type visors
- Left and right cutaway visors
- Half and full vertical louvres
- Half and full horizontal louvres



| STANDMAN  | WALKMAN   |
|-----------|-----------|
| X = 0.697 | X = 0.04  |
| Y = 0.303 | Y = 0.641 |







Moving Safer, Smarter and Sustainably



## Aldridge Traffic Systems Pty Ltd

12 - 14 Leeds Street  
Rhodes NSW 2138

[www.trafficltd.com.au](http://www.trafficltd.com.au)

### NSW

P: +61 2 9701 9900  
e: [info@trafficltd.com.au](mailto:info@trafficltd.com.au)

### NT

P: +61 8 8947 0733  
e: [info@trafficltd.com.au](mailto:info@trafficltd.com.au)

### QLD

P: +61 7 3184 2000  
e: [info@trafficltd.com.au](mailto:info@trafficltd.com.au)

### VIC

P: +61 3 9430 0222  
e: [info@trafficltd.com.au](mailto:info@trafficltd.com.au)

### ACT

P: +61 2 6299 7922  
e: [info@trafficltd.com.au](mailto:info@trafficltd.com.au)

### TAS

P: +61 3 6273 1177  
e: [info@trafficltd.com.au](mailto:info@trafficltd.com.au)

### SA

P: +61 3 9430 0266  
e: [info@trafficltd.com.au](mailto:info@trafficltd.com.au)

### WA

P: +61 8 9248 1002  
e: [info@trafficltd.com.au](mailto:info@trafficltd.com.au)

### UNITED KINGDOM

P: +44 (0) 1159 223 797  
e: [info@aldridgetraffic.co.uk](mailto:info@aldridgetraffic.co.uk)



Accreditation No.  
10378

