

# ALDRIDGE

## BOSTON V



Traditional shape lanterns for older suburban streets, urban areas and streetscapes

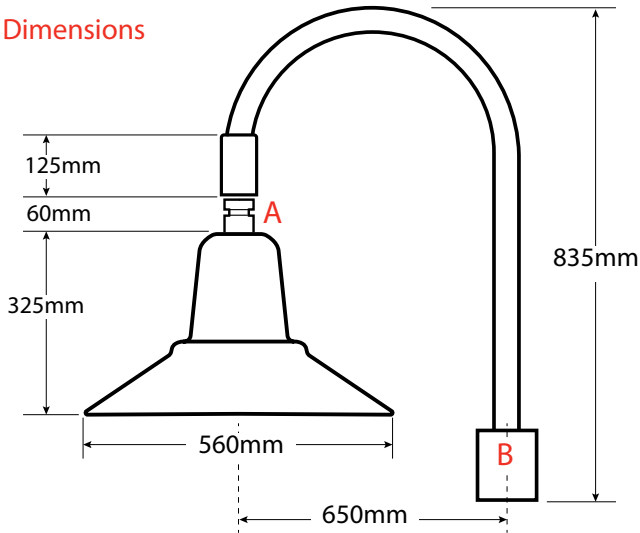
The lantern reflector design eliminates unwanted upward light, providing higher lumination at ground level

### APPLICATIONS

- 'V' Cat. Roads
- Intersections
- Large Carparks
- Pedestrian Malls

A Spigot as per AS/NZS1158

Dimensions



B Fits 76mm Pole Spigot

Features

- Designed to meet stringent Australian Standards
- Self cleaning housing and PMMA optical diffuser
- High Performance LED & Optics to meet AS/NZ1158
- Integrated thermal management
- Hinged 'quick access latch'
- Complies with AS/NZ 1158.6 & AS/NZ 1158.1
- 10 year warranty

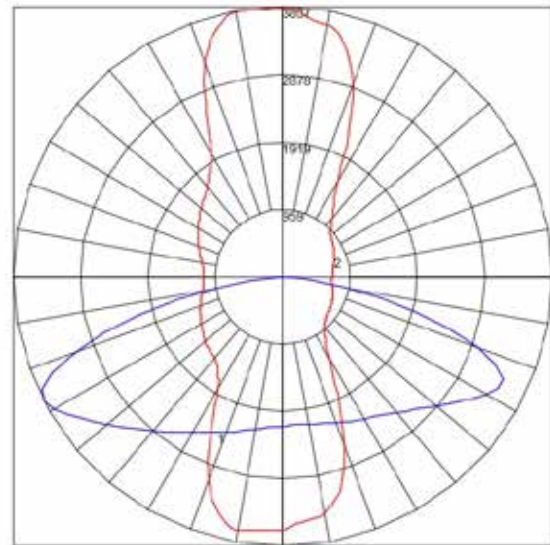
Options

- Photocell: 7-pin Nema receptacle (7PN)
- Fuse Terminal Block: (FTB)
- Surge Protection Device: (SPD - 10KVA, 20KVA)
- Class II: (DB - Double Insulated)
- Colour: Green (GR), Black (BL-Standard)
- CCT: 3000K, 4000K (Standard), 5000K
- Visor: Glareshield/spill light kit (GV)

Technical Data

- Body:** High Pressure Die Cast Aluminum
- Optics:** Distribution - V T5 CAT
- LED #:** 162
- Wattage:** 60 - 75 - 155 - 175 Watts
- Finishing:** Powder Coat Black (Black Standard)
- Mounting:** 6 - 10 Metres
- Fixing:** Pole Top Spigot Mount (76mm OD)
- IP rating:** IP65
- IK rating:** IK06
- Voltage:** 220V - 240V 50/60Hz
- Power Factor:** >0.9

IES ROAD REPORT  
PHOTOMETRIC FILENAME : L.SPT.210123.IES  
POLAR GRAPH

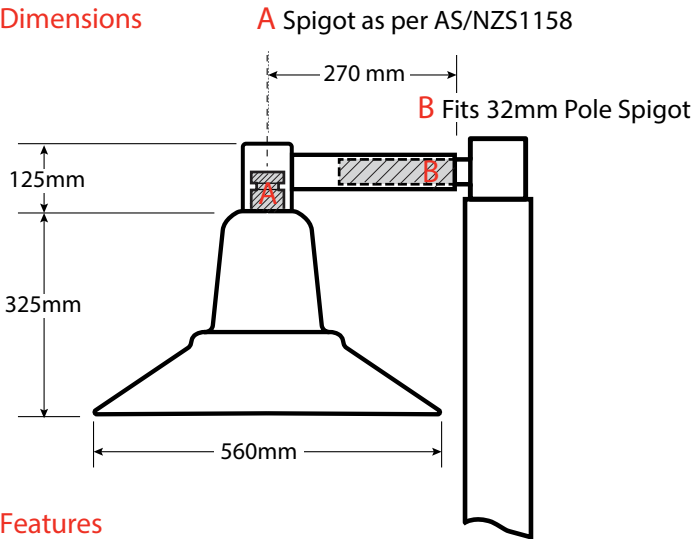


Maximum Candela = 3837.46 Located At Horizontal Angle = 99, Vertical Angle = 62.5  
# 1 - Vertical Plane Through Horizontal Angles (59 - 279) (Through Max. Cd.)  
# 2 - Horizontal Cone Through Vertical Angle (62.5) (Through Max. Cd.)

Specification BOSTON-TOP ENTRY

PRODUCT CODE	BV60WBTA	BV75WBTA	BV155WBTA	BV175WBTA
Power Watts	60	75	155	175
Input Voltage	220V - 240V 50/60Hz	220V - 240V 50/60Hz	220V - 240V 50/60Hz	220V - 240V 50/60Hz
CCT (K)	4000	4000	4000	4000
CRI	Ra>75	Ra>75	Ra>75	Ra>75
IP Protection	IP65	IP65	IP65	IP65
IK Protection	IK06	IK06	IK06	IK06
Weight (Kg)-max.	10kg	10kg	10kg	10kg

**Dimensions**



**Features**

- Designed to meet stringent Australian Standards
- Self cleaning housing and PMMA optical diffuser
- High Performance LED & Optics to meet AS/NZ1158
- Integrated thermal management
- Hinged 'quick access latch'
- Complies with AS/NZ 1158.6 & AS/NZ 1158.1
- 10 year warranty

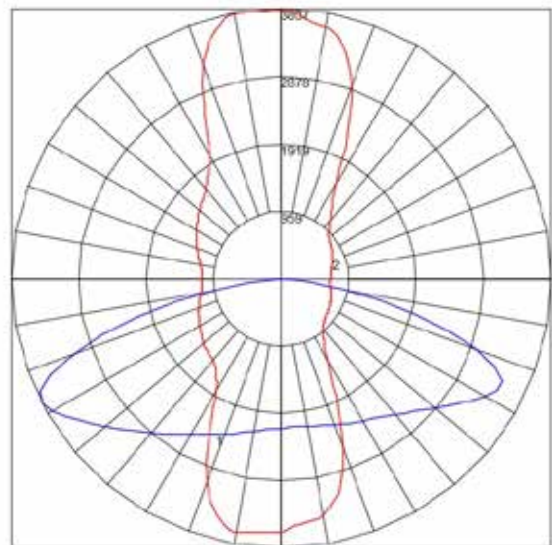
**Options**

- **Photocell:** 7-pin Nema receptacle (7PN)
- **Fuse Terminal Block:** (FTB)
- **Surge Protection Device:** (SPD - 10KVA, 20KVA)
- **Class II:** (DB - Double Insulated)
- **Colour:** Green (GR), Black (BL-Standard)
- **CCT:** 3000K, 4000K (Standard), 5000K
- **Visor:** Glaeshield/spill light kit (GV)

**Technical Data**

- **Body:** High Pressure Die Cast Aluminum
- **Optics:** Distribution - V T5 CAT
- **LED #:** 162
- **Wattage:** 60 - 75 - 155 - 175 Watts
- **Finishing:** Powder Coat Black (Black Standard)
- **Mounting:** 6 - 10 Metres
- **Fixing:** Pole Top Spigot Mount (76mm OD)
- **IP rating:** IP65
- **IK rating:** IK06
- **Voltage:** 220V - 240V 50/60Hz
- **Power Factor:** >0.9

IES ROAD REPORT  
PHOTOMETRIC FILENAME : L SPT-210123.JE5  
POLAR GRAPH



Maximum Candela = 3837.46 Located At Horizontal Angle = 99, Vertical Angle = 62.5  
# 1 - Vertical Plane Through Horizontal Angles (59 - 279) (Through Max. Cd.)  
# 2 - Horizontal Cone Through Vertical Angle (62.5) (Through Max. Cd.)

**Specification BOSTON-SIDE ENTRY**

PRODUCT CODE	BV60WBSA	BV75WBSA	BV155WBSA	BV175WBSA
Power Watts	60	75	155	175
Input Voltage	220V - 240V 50/60Hz	220V - 240V 50/60Hz	220V - 240V 50/60Hz	220V - 240V 50/60Hz
CCT (K)	4000	4000	4000	4000
CRI	Ra>75	Ra>75	Ra>75	Ra>75
IP Protection	IP65 - IP44	IP65 - IP44	IP65 - IP44	IP65 - IP44
IK Protection	IK06	IK06	IK06	IK06
Weight (Kg)-max.	10kg	10kg	10kg	10kg

# ALDRIDGE

## Aldridge Traffic Systems Pty Ltd

Unit 38, 38-46 South Street  
Rydalmere NSW 2116

[www.trafficltd.com.au](http://www.trafficltd.com.au)

### NSW

P: +61 2 9736 3677  
F: +61 2 9736 3391  
e: [info@trafficltd.com.au](mailto:info@trafficltd.com.au)

### VIC

P: +61 3 9430 0222  
F: +61 3 9430 0244  
e: [info@trafficltd.com.au](mailto:info@trafficltd.com.au)

### SA

P: +61 8 8362 2385  
e: [info@trafficltd.com.au](mailto:info@trafficltd.com.au)

### NT

P: +61 8 8947 0733  
F: +61 8 8947 0713  
e: [info@trafficltd.com.au](mailto:info@trafficltd.com.au)

### ACT

P: +61 2 6299 7922  
F: +61 2 6299 7977  
e: [info@trafficltd.com.au](mailto:info@trafficltd.com.au)

### WA

P: +61 8 9248 1002  
F: +61 8 9209 2288  
e: [info@trafficltd.com.au](mailto:info@trafficltd.com.au)

### QLD

P: +61 7 3184 2000  
F: +61 7 3266 2244  
e: [info@trafficltd.com.au](mailto:info@trafficltd.com.au)

### TAS

P: +61 3 6273 1177  
F: +61 3 6273 1759  
e: [info@trafficltd.com.au](mailto:info@trafficltd.com.au)

### UNITED KINGDOM

P: +44 (0) 1159 223 797  
F: +44 (0) 1159 223 836  
e: [info@aldrigetraffic.co.uk](mailto:info@aldrigetraffic.co.uk)



Accreditation No.  
10378

